

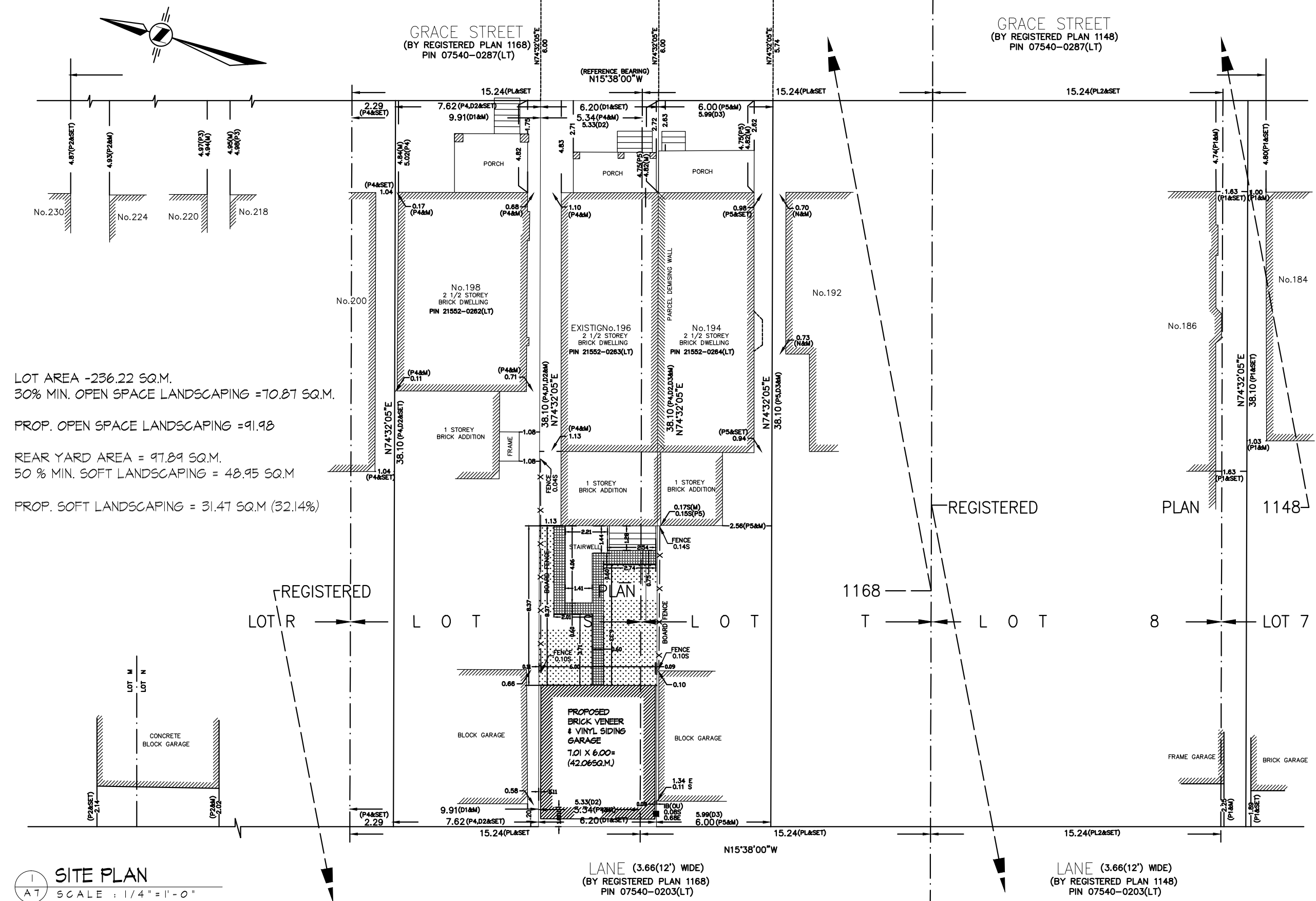
SCALE 1:150
1.5m 0 1.5 7.5metres

EKP DESIGNS INC.

537 ROGERS ROAD
TORONTO, ONTARIO
M6M-1B4
TEL. No. 416-658-6737
CELL No. 416-723-6983
EMAIL: ekpdesigns@outlook.com

THIS DRAWING AS AN INSTRUMENT OF SERVICE IS PROVIDED BY AND IS THE PROPERTY OF EKP DESIGNS INC. THE CONTRACTOR MUST VERIFY AND ACCEPT RESPONSIBILITY FOR ALL DIMENSIONS AND CONDITIONS ON SITE AND MUST NOTIFY EKP DESIGNS INC. OF ANY VARIATIONS FROM THE SUPPLIED INFORMATION. THE DRAWING IS NOT TO SCALE. THE DESIGNER IS NOT RESPONSIBLE FOR THE ACCURACY OF SURVEY, STRUCTURAL, MECHANICAL ELECTRICAL ETC. VERIFY INFORMATION SHOWN ON THE DRAWINGS BEFORE PROCEEDING WITH WORK. CONSTRUCTION MUST CONFORM TO ALL APPLICABLE CODES AND REQUIREMENTS OF AUTHORITIES HAVING JURISDICTION. THE CONTRACTOR WORKING FROM DRAWINGS NOT SPECIFICALLY MARKED "FOR CONSTRUCTION" MUST ASSUME FULL RESPONSIBILITY AND BEAR COSTS FOR ANY CORRECTIONS OR DAMAGES RESULTING FROM HIS/HER WORK.

No.	REVISIONS	DATE



LOT AREA -236.22 SQ.M.
30% MIN. OPEN SPACE LANDSCAPING =70.87 SQ.M.
PROP. OPEN SPACE LANDSCAPING =91.98
REAR YARD AREA = 97.89 SQ.M.
50 % MIN. SOFT LANDSCAPING = 48.95 SQ.M
PROP. SOFT LANDSCAPING = 31.47 SQ.M (32.14%)

I SITE PLAN
A7 SCALE : 1/4" = 1'-0"

The undersigned has reviewed and takes responsibility for this design, and has the qualifications and meets the requirements set out in the Ontario Building Code to design the work shown on the attached documents:

QUALIFICATION INFORMATION
Required unless design is exempt under 3.2.4.3.(5) Division C of the Ontario Building Code.

EDDIE PERES *Eddie Peres* 31296
NAME SIGNATURE BCIN

REGISTRATION INFORMATION
Required unless design is exempt under 3.2.4.1. Division C of the Ontario Building Code.

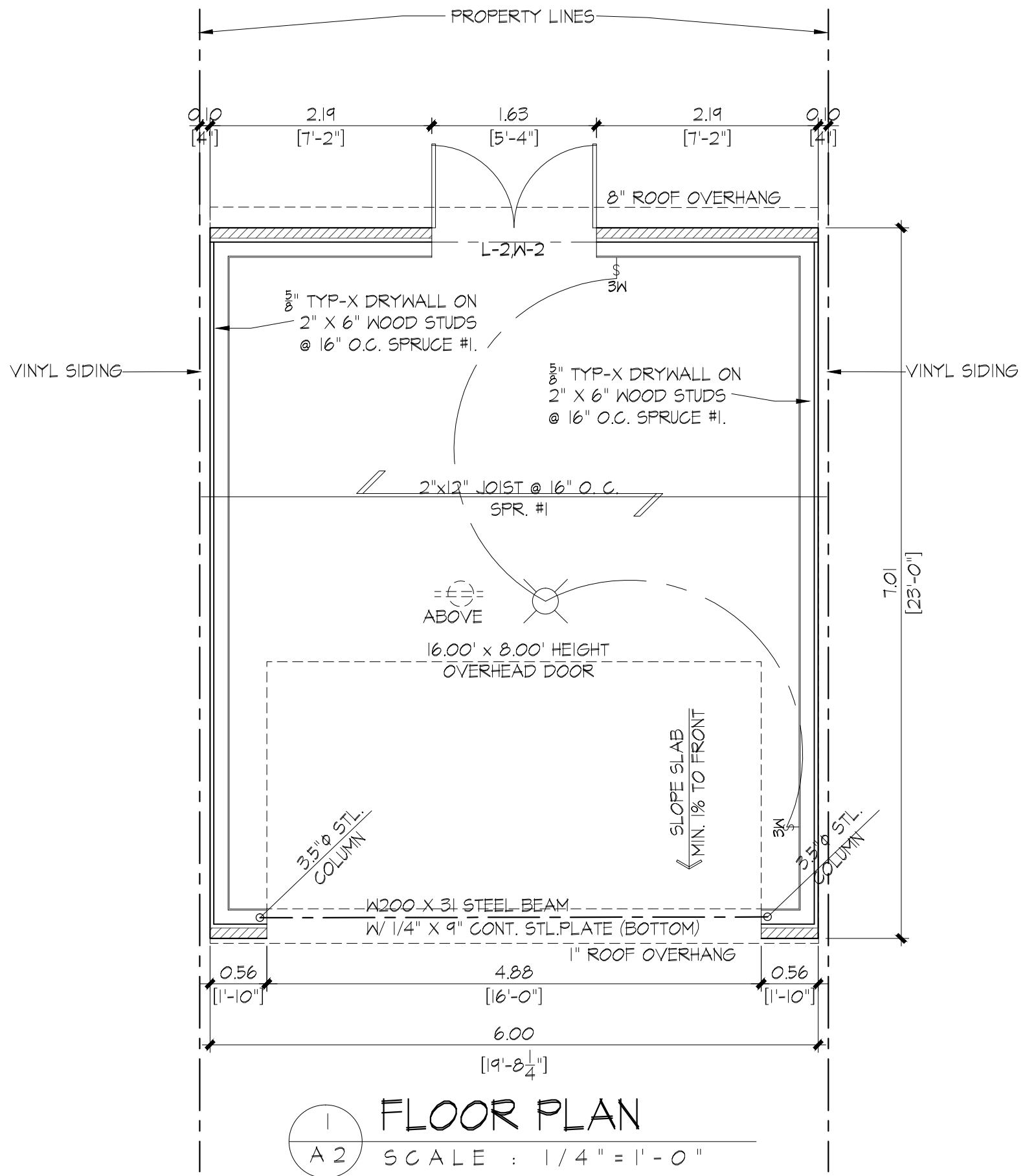
EKP DESIGNS INC. 38281
FIRM NAME BCIN

PROJECT
PROPOSED BRICK VANEER/ VINYL SIDING GARAGE
196 GRACE STREET
CITY OF TORONTO

DRAWING NAME
SITE PLAN

DESIGNED BY EKP	DRAWN BY EMMANUEL O.	APPROVED BY EKP
PROJECT No. 2017-89	DATE JULY 2017	SCALE AS SHOWN
FILE: 2017	DRAWING NO. A1	

LINTEL SCHEDULE:
 L2 = 2- 2" X 8" SPR. #1
 W2 = 3 1/2" X 3 1/2" X 5/16"



EKP DESIGNS INC.

537 ROGERS ROAD
 TORONTO, ONTARIO
 M6M-1B4
 TEL. No. 416-658-6737
 CELL No. 416-723-6983
 EMAIL: ekpdesigns@outlook.com

THIS DRAWING AS AN INSTRUMENT OF SERVICE IS PROVIDED BY AND IS THE PROPERTY OF EKP DESIGNS INC. THE CONTRACTOR MUST VERIFY AND ACCEPT RESPONSIBILITY FOR ALL DIMENSIONS AND CONDITIONS ON SITE AND MUST NOTIFY EKP DESIGNS INC. OF ANY VARIATIONS FROM THE SUPPLIED INFORMATION. THE DRAWING IS NOT TO SCALE. THE DESIGNER IS NOT RESPONSIBLE FOR THE ACCURACY OF SURVEY, STRUCTURAL, MECHANICAL ELECTRICAL ETC. VERIFY INFORMATION SHOWN ON THE DRAWINGS BEFORE PROCEEDING WITH WORK. CONSTRUCTION MUST CONFORM TO ALL APPLICABLE CODES AND REQUIREMENTS OF AUTHORITIES HAVING JURISDICTION. THE CONTRACTOR WORKING FROM DRAWINGS NOT SPECIFICALLY MARKED "FOR CONSTRUCTION" MUST ASSUME FULL RESPONSIBILITY AND BEAR COSTS FOR ANY CORRECTIONS OR DAMAGES RESULTING FROM HIS/HER WORK.

No.	REVISIONS	DATE

The undersigned has reviewed and takes responsibility for this design, and has the qualifications and meets the requirements set out in the Ontario Building Code to design the work shown on the attached documents:

QUALIFICATION INFORMATION
 Required unless design is exempt under 3.2.4.3(5) Division C of the Ontario Building Code.

EDDIE PERES *Eddie Peres* 31296
 NAME SIGNATURE BCIN

REGISTRATION INFORMATION
 Required unless design is exempt under 3.2.4.1. Division C of the Ontario Building Code.

EKP DESIGNS INC. 38281
 FIRM NAME BCIN

PROJECT
 PROPOSED BRICK VANEER/ VINYL SIDING GARAGE
 196 GRACE STREET
 CITY OF TORONTO

DRAWING NAME
 FLOOR PLAN

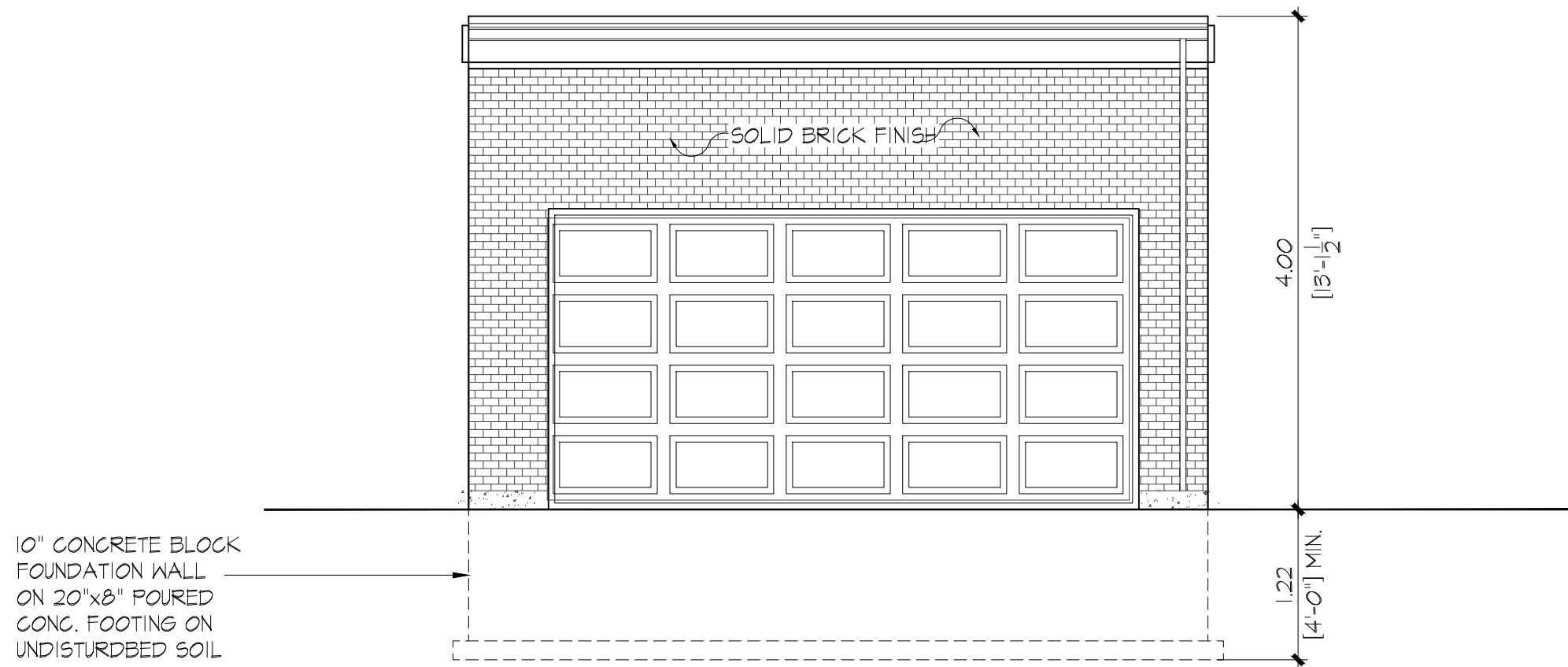
DESIGNED BY EKP	DRAWN BY EMMANUEL O	APPROVED BY EKP
PROJECT No. 2017-89	DATE JULY 2017	SCALE AS SHOWN
FILE: 2017	DRAWING NO. A2	

EKP DESIGNS INC.

537 ROGERS ROAD
 TORONTO, ONTARIO
 M6M-1B4
 TEL. No. 416-658-6737
 CELL No. 416-723-6983
 EMAIL: ekpdesigns@outlook.com

THIS DRAWING AS AN INSTRUMENT OF SERVICE IS PROVIDED BY AND IS THE PROPERTY OF EKP DESIGNS INC. THE CONTRACTOR MUST VERIFY AND ACCEPT RESPONSIBILITY FOR ALL DIMENSIONS AND CONDITIONS ON SITE AND MUST NOTIFY EKP DESIGNS INC. OF ANY VARIATIONS FROM THE SUPPLIED INFORMATION. THE DRAWING IS NOT TO SCALE. THE DESIGNER IS NOT RESPONSIBLE FOR THE ACCURACY OF SURVEY, STRUCTURAL, MECHANICAL ELECTRICAL ETC. VERIFY INFORMATION SHOWN ON THE DRAWINGS BEFORE PROCEEDING WITH WORK. CONSTRUCTION MUST CONFORM TO ALL APPLICABLE CODES AND REQUIREMENTS OF AUTHORITIES HAVING JURISDICTION. THE CONTRACTOR WORKING FROM DRAWINGS NOT SPECIFICALLY MARKED "FOR CONSTRUCTION" MUST ASSUME FULL RESPONSIBILITY AND BEAR COSTS FOR ANY CORRECTIONS OR DAMAGES RESULTING FROM HIS/HER WORK.

No.	REVISIONS	DATE



1 WEST (FRONT) ELEVATION
 A3 SCALE : 1/4" = 1'-0"

The undersigned has reviewed and takes responsibility for this design, and has the qualifications and meets the requirements set out in the Ontario Building Code to design the work shown on the attached documents:

QUALIFICATION INFORMATION
 Required unless design is exempt under 3.2.4.3.(5) Division C of the Ontario Building Code.

EDDIE PERES *Eddie Peres* 31296
 NAME SIGNATURE BCIN

REGISTRATION INFORMATION
 Required unless design is exempt under 3.2.4.1. Division C of the Ontario Building Code.

EKP DESIGNS INC. 38281
 FIRM NAME BCIN

PROJECT
 PROPOSED BRICK VANEER/ VINYL SIDING GARAGE
 196 GRACE STREET
 CITY OF TORONTO

DRAWING NAME
 FRONT ELEVATION

DESIGNED BY EKP	DRAWN BY EMMANUEL O	APPROVED BY EKP
PROJECT No. 2017-89	DATE JULY 2017	SCALE AS SHOWN
FILE: 2017	DRAWING NO. A3	

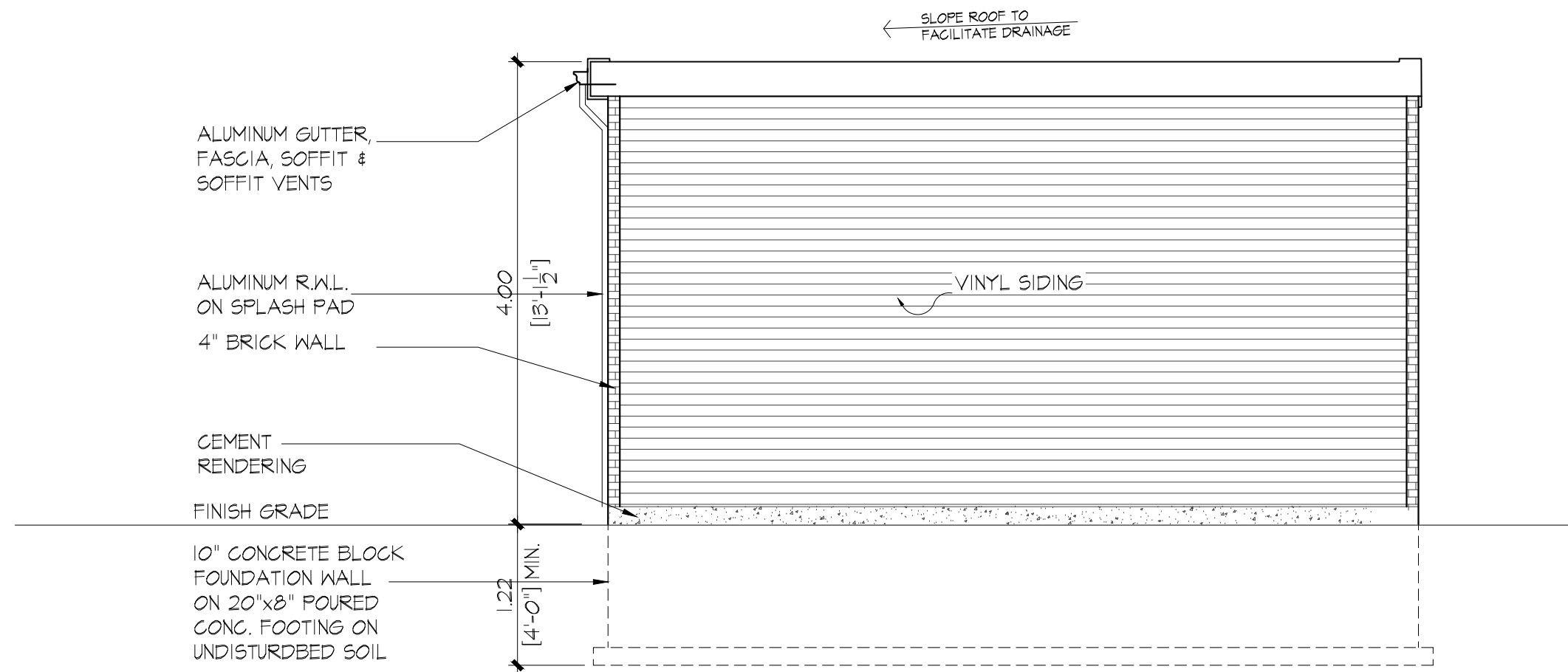
EKP DESIGNS INC.

537 ROGERS ROAD
TORONTO, ONTARIO
M6M-1B4

TEL. No. 416-658-6737
CELL No. 416-723-6983
EMAIL: ekpdesigns@outlook.com

THIS DRAWING AS AN INSTRUMENT OF SERVICE IS PROVIDED BY AND IS THE PROPERTY OF EKP DESIGNS INC. THE CONTRACTOR MUST VERIFY AND ACCEPT RESPONSIBILITY FOR ALL DIMENSIONS AND CONDITIONS ON SITE AND MUST NOTIFY EKP DESIGNS INC. OF ANY VARIATIONS FROM THE SUPPLIED INFORMATION. THE DRAWING IS NOT TO SCALE. THE DESIGNER IS NOT RESPONSIBLE FOR THE ACCURACY OF SURVEY, STRUCTURAL, MECHANICAL ELECTRICAL ETC. VERIFY INFORMATION SHOWN ON THE DRAWINGS BEFORE PROCEEDING WITH WORK. CONSTRUCTION MUST CONFORM TO ALL APPLICABLE CODES AND REQUIREMENTS OF AUTHORITIES HAVING JURISDICTION. THE CONTRACTOR WORKING FROM DRAWINGS NOT SPECIFICALLY MARKED "FOR CONSTRUCTION" MUST ASSUME FULL RESPONSIBILITY AND BEAR COSTS FOR ANY CORRECTIONS OR DAMAGES RESULTING FROM HIS/HER WORK.

No.	REVISIONS	DATE



1 SIDE (NORTH) ELEVATION
A 4 SCALE : 1/4" = 1'-0"

The undersigned has reviewed and takes responsibility for this design, and has the qualifications and meets the requirements set out in the Ontario Building Code to design the work shown on the attached documents:

QUALIFICATION INFORMATION
Required unless design is exempt under 3.2.4.3.(5) Division C of the Ontario Building Code.

EDDIE PERES 31296
NAME SIGNATURE BCIN

REGISTRATION INFORMATION
Required unless design is exempt under 3.2.4.1. Division C of the Ontario Building Code.

EKP DESIGNS INC. 38281
FIRM NAME BCIN

PROJECT
PROPOSED BRICK VANEER/ VINYL SIDING GARAGE
196 GRACE STREET
CITY OF TORONTO

DRAWING NAME
DRAWING

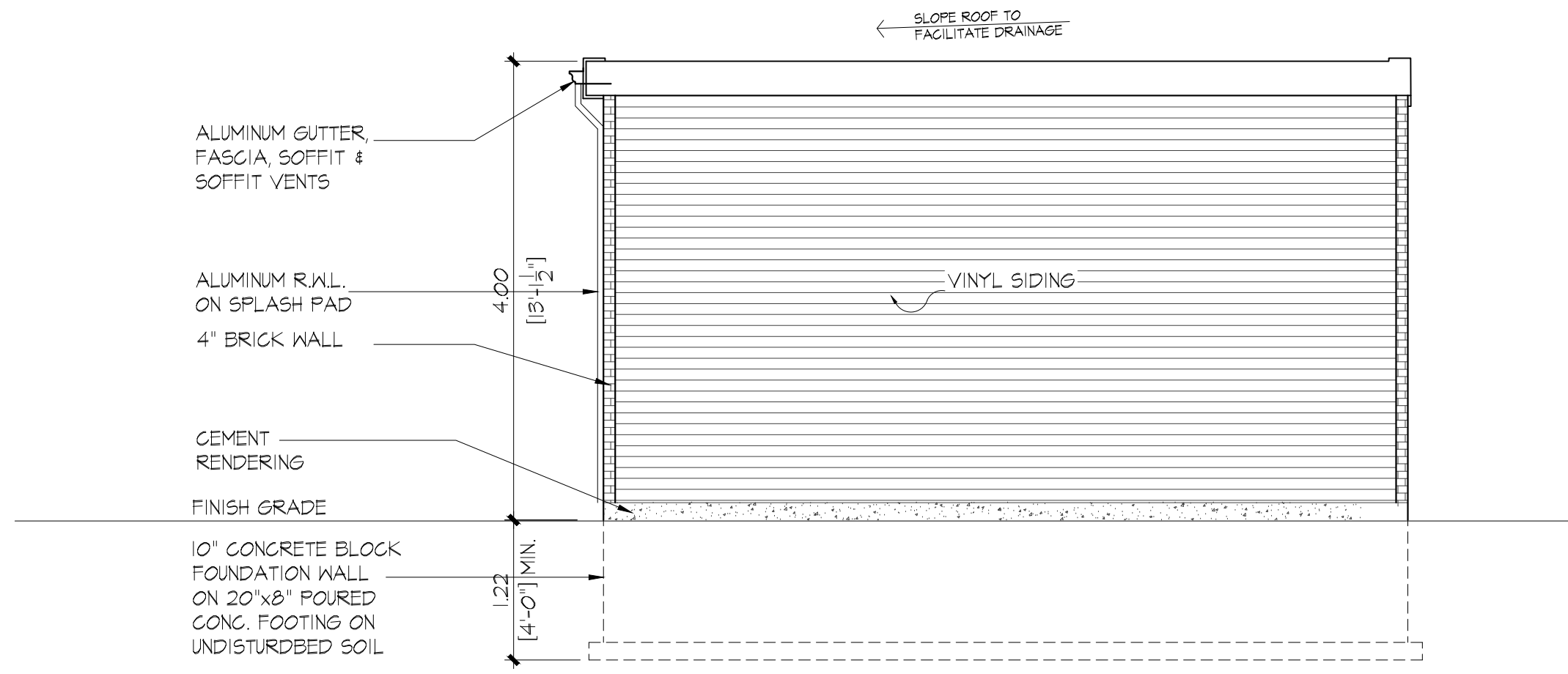
DESIGNED BY EKP	DRAWN BY EMMANUEL O	APPROVED BY EKP
PROJECT No. 2017-89	DATE JULY 2017	SCALE AS SHOWN
FILE: 2017	DRAWING NO. A4	

EKP DESIGNS INC.

537 ROGERS ROAD
 TORONTO, ONTARIO
 M6M-1B4
 TEL. No. 416-658-6737
 CELL No. 416-723-6983
 EMAIL: ekpdesigns@outlook.com

THIS DRAWING AS AN INSTRUMENT OF SERVICE IS PROVIDED BY AND IS THE PROPERTY OF EKP DESIGNS INC. THE CONTRACTOR MUST VERIFY AND ACCEPT RESPONSIBILITY FOR ALL DIMENSIONS AND CONDITIONS ON SITE AND MUST NOTIFY EKP DESIGNS INC. OF ANY VARIATIONS FROM THE SUPPLIED INFORMATION. THE DRAWING IS NOT TO SCALE. THE DESIGNER IS NOT RESPONSIBLE FOR THE ACCURACY OF SURVEY, STRUCTURAL, MECHANICAL ELECTRICAL ETC. VERIFY INFORMATION SHOWN ON THE DRAWINGS BEFORE PROCEEDING WITH WORK. CONSTRUCTION MUST CONFORM TO ALL APPLICABLE CODES AND REQUIREMENTS OF AUTHORITIES HAVING JURISDICTION. THE CONTRACTOR WORKING FROM DRAWINGS NOT SPECIFICALLY MARKED "FOR CONSTRUCTION" MUST ASSUME FULL RESPONSIBILITY AND BEAR COSTS FOR ANY CORRECTIONS OR DAMAGES RESULTING FROM HIS/HER WORK.

No.	REVISIONS	DATE



1
A 4
SIDE (NORTH) ELEVATION
 SCALE : 1/4" = 1'-0"

The undersigned has reviewed and takes responsibility for this design, and has the qualifications and meets the requirements set out in the Ontario Building Code to design the work shown on the attached documents:

QUALIFICATION INFORMATION
 Required unless design is exempt under 3.2.4.3.(5) Division C of the Ontario Building Code.

EDDIE PERES *Eddie Peres* 31296
 NAME SIGNATURE BCIN

REGISTRATION INFORMATION
 Required unless design is exempt under 3.2.4.1. Division C of the Ontario Building Code.

EKP DESIGNS INC. 38281
 FIRM NAME BCIN

PROJECT
 PROPOSED BRICK VANEER/ VINYL SIDING GARAGE
 196 GRACE STREET
 CITY OF TORONTO

DRAWING NAME
 DRAWING

DESIGNED BY EKP	DRAWN BY EMMANUEL O	APPROVED BY EKP
PROJECT No. 2017-89	DATE JULY 2017	SCALE AS SHOWN
FILE: 2017	DRAWING NO. A4	

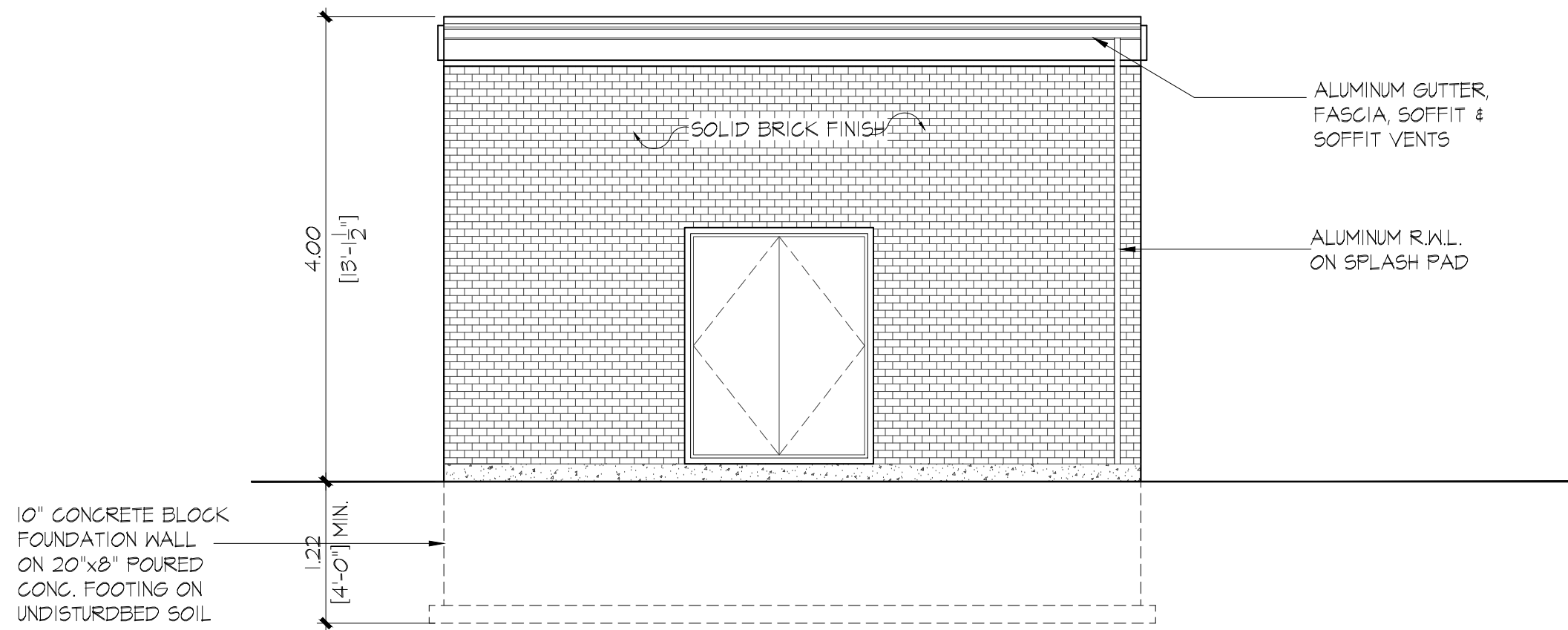
EKP DESIGNS INC.

537 ROGERS ROAD
TORONTO, ONTARIO
M6M-1B4

TEL. No. 416-658-6737
CELL No. 416-723-6983
EMAIL: ekpdesigns@outlook.com

THIS DRAWING AS AN INSTRUMENT OF SERVICE IS PROVIDED BY AND IS THE PROPERTY OF EKP DESIGNS INC. THE CONTRACTOR MUST VERIFY AND ACCEPT RESPONSIBILITY FOR ALL DIMENSIONS AND CONDITIONS ON SITE AND MUST NOTIFY EKP DESIGNS INC. OF ANY VARIATIONS FROM THE SUPPLIED INFORMATION. THE DRAWING IS NOT TO SCALE. THE DESIGNER IS NOT RESPONSIBLE FOR THE ACCURACY OF SURVEY, STRUCTURAL, MECHANICAL ELECTRICAL ETC. VERIFY INFORMATION SHOWN ON THE DRAWINGS BEFORE PROCEEDING WITH WORK. CONSTRUCTION MUST CONFORM TO ALL APPLICABLE CODES AND REQUIREMENTS OF AUTHORITIES HAVING JURISDICTION. THE CONTRACTOR WORKING FROM DRAWINGS NOT SPECIFICALLY MARKED "FOR CONSTRUCTION" MUST ASSUME FULL RESPONSIBILITY AND BEAR COSTS FOR ANY CORRECTIONS OR DAMAGES RESULTING FROM HIS/HER WORK.

No.	REVISIONS	DATE



1 REAR (EAST) ELEVATION
A5 SCALE : 1/4" = 1'-0"

The undersigned has reviewed and takes responsibility for this design, and has the qualifications and meets the requirements set out in the Ontario Building Code to design the work shown on the attached documents:

QUALIFICATION INFORMATION
Required unless design is exempt under 3.2.4.3.(5) Division C of the Ontario Building Code.

EDDIE PERES *Eddie Peres* 31296
NAME SIGNATURE BCIN

REGISTRATION INFORMATION
Required unless design is exempt under 3.2.4.1. Division C of the Ontario Building Code.

EKP DESIGNS INC. 38281
FIRM NAME BCIN

PROJECT
PROPOSED BRICK VANEER/ VINYL SIDING GARAGE
196 GRACE STREET
CITY OF TORONTO

DRAWING NAME
REAR ELEVATION

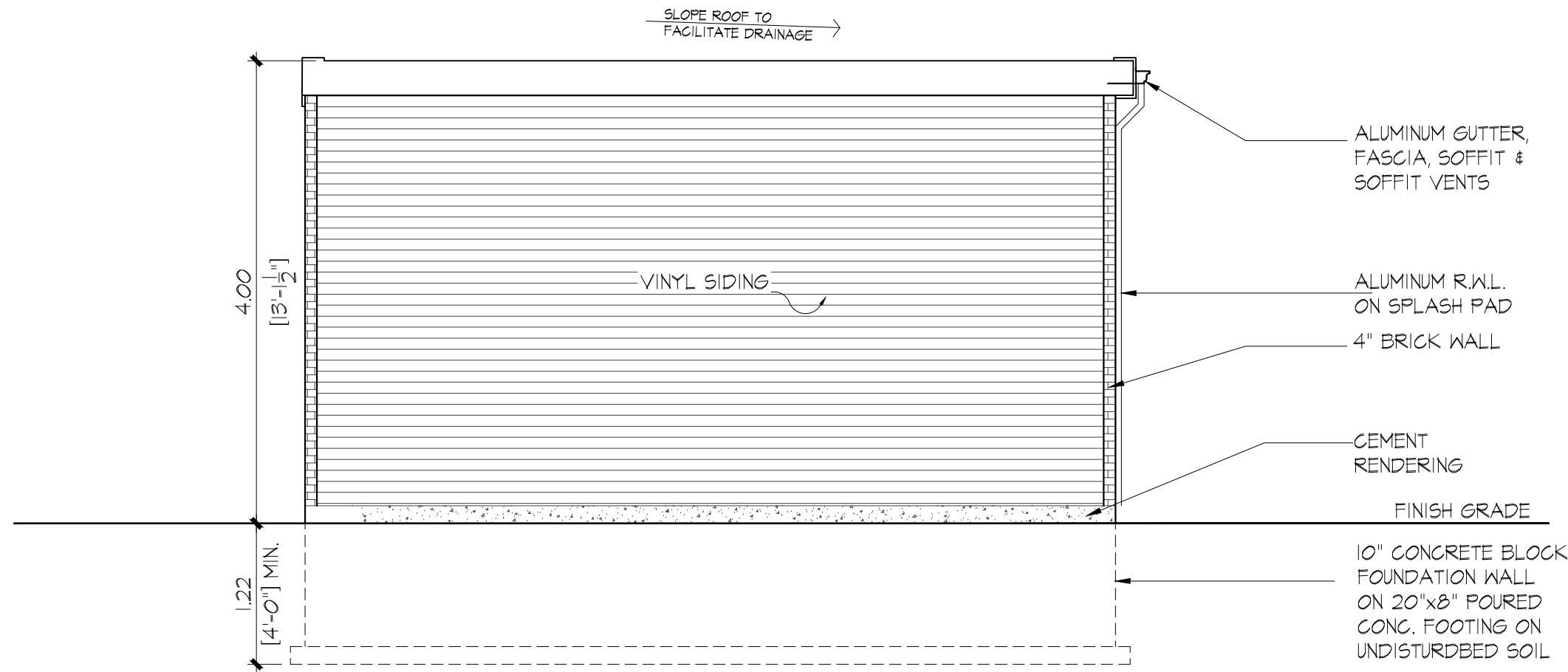
DESIGNED BY EKP	DRAWN BY EMMANUEL O	APPROVED BY EKP
PROJECT No. 2017-89	DATE JULY 2017	SCALE AS SHOWN
FILE: 2017	DRAWING NO. A5	

EKP DESIGNS INC.

537 ROGERS ROAD
 TORONTO, ONTARIO
 M6M-1B4
 TEL. No. 416-658-6737
 CELL No. 416-723-6983
 EMAIL: ekpdesigns@outlook.com

THIS DRAWING AS AN INSTRUMENT OF SERVICE IS PROVIDED BY AND IS THE PROPERTY OF EKP DESIGNS INC. THE CONTRACTOR MUST VERIFY AND ACCEPT RESPONSIBILITY FOR ALL DIMENSIONS AND CONDITIONS ON SITE AND MUST NOTIFY EKP DESIGNS INC. OF ANY VARIATIONS FROM THE SUPPLIED INFORMATION. THE DRAWING IS NOT TO SCALE. THE DESIGNER IS NOT RESPONSIBLE FOR THE ACCURACY OF SURVEY, STRUCTURAL, MECHANICAL ELECTRICAL ETC. VERIFY INFORMATION SHOWN ON THE DRAWINGS BEFORE PROCEEDING WITH WORK. CONSTRUCTION MUST CONFORM TO ALL APPLICABLE CODES AND REQUIREMENTS OF AUTHORITIES HAVING JURISDICTION. THE CONTRACTOR WORKING FROM DRAWINGS NOT SPECIFICALLY MARKED "FOR CONSTRUCTION" MUST ASSUME FULL RESPONSIBILITY AND BEAR COSTS FOR ANY CORRECTIONS OR DAMAGES RESULTING FROM HIS/HER WORK.

No.	REVISIONS	DATE



① SIDE (SOUTH) ELEVATION
 A6 SCALE : 1/4" = 1'-0"

The undersigned has reviewed and takes responsibility for this design, and has the qualifications and meets the requirements set out in the Ontario Building Code to design the work shown on the attached documents:

QUALIFICATION INFORMATION
 Required unless design is exempt under 3.2.4.3.(5) Division C of the Ontario Building Code.

EDDIE PERES *Eddie Peres* 31296
 NAME SIGNATURE BCIN

REGISTRATION INFORMATION
 Required unless design is exempt under 3.2.4.1. Division C of the Ontario Building Code.

EKP DESIGNS INC. 38281
 FIRM NAME BCIN

PROJECT
 PROPOSED BRICK VANEER/ VINYL SIDING GARAGE
 196 GRACE STREET
 CITY OF TORONTO

DRAWING NAME
 SIDE ELEVATION

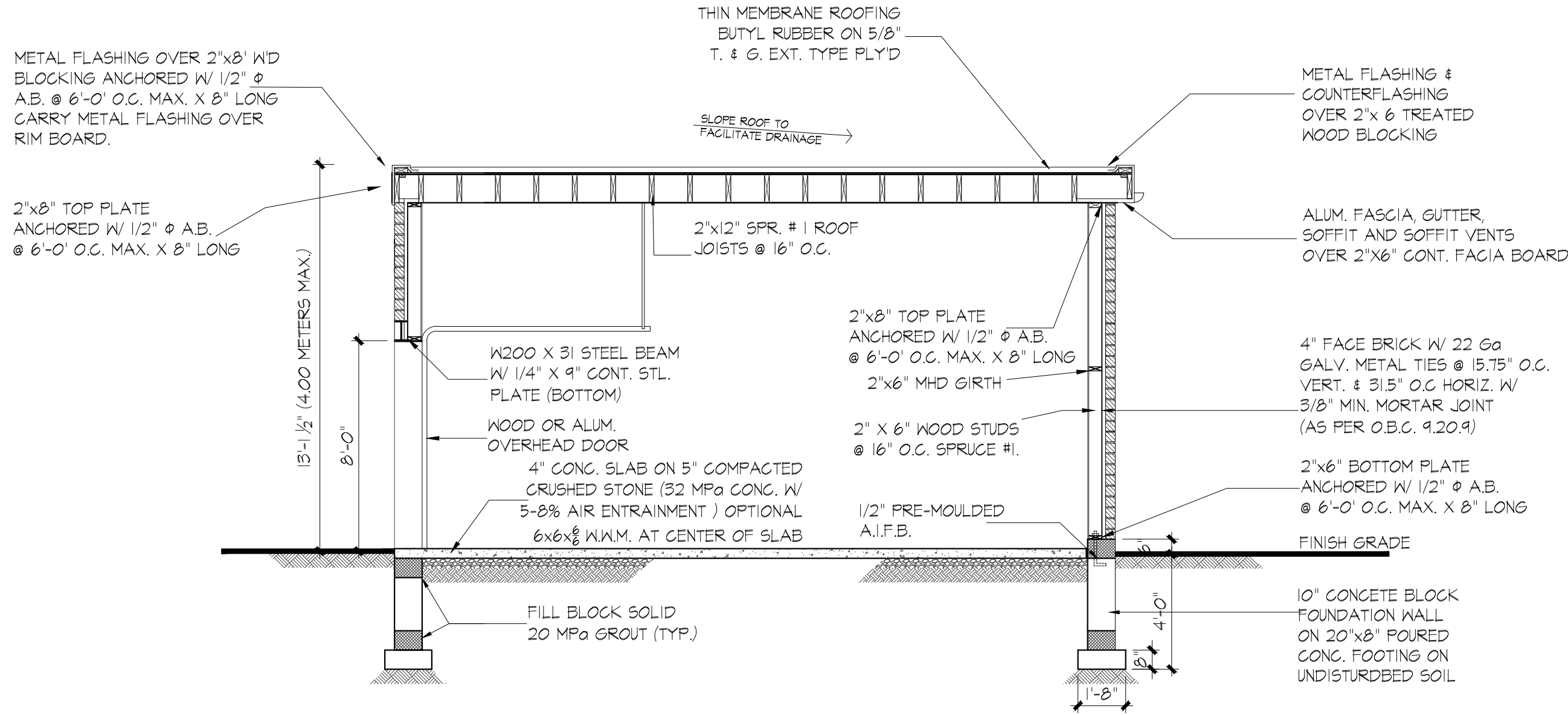
DESIGNED BY EKP	DRAWN BY EMMANUEL O	APPROVED BY EKP
PROJECT No. 2017-89	DATE JULY 2017	SCALE AS SHOWN
FILE: 2017	DRAWING NO. A6	

EKP DESIGNS INC.

537 ROGERS ROAD
 TORONTO, ONTARIO
 M6M-1B4
 TEL. No. 416-658-6737
 CELL No. 416-723-6983
 EMAIL: ekpdesigns@outlook.com

THIS DRAWING AS AN INSTRUMENT OF SERVICE IS PROVIDED BY AND IS THE PROPERTY OF EKP DESIGNS INC. THE CONTRACTOR MUST VERIFY AND ACCEPT RESPONSIBILITY FOR ALL DIMENSIONS AND CONDITIONS ON SITE AND MUST NOTIFY EKP DESIGNS INC. OF ANY VARIATIONS FROM THE SUPPLIED INFORMATION. THE DRAWING IS NOT TO SCALE. THE DESIGNER IS NOT RESPONSIBLE FOR THE ACCURACY OF SURVEY, STRUCTURAL, MECHANICAL ELECTRICAL ETC. VERIFY INFORMATION SHOWN ON THE DRAWINGS BEFORE PROCEEDING WITH WORK. CONSTRUCTION MUST CONFORM TO ALL APPLICABLE CODES AND REQUIREMENTS OF AUTHORITIES HAVING JURISDICTION. THE CONTRACTOR WORKING FROM DRAWINGS NOT SPECIFICALLY MARKED "FOR CONSTRUCTION" MUST ASSUME FULL RESPONSIBILITY AND BEAR COSTS FOR ANY CORRECTIONS OR DAMAGES RESULTING FROM HIS/HER WORK.

No.	REVISIONS	DATE



CROSS SECTION
 SCALE : 1/4" = 1'-0"

The undersigned has reviewed and takes responsibility for this design, and has the qualifications and meets the requirements set out in the Ontario Building Code to design the work shown on the attached documents:

QUALIFICATION INFORMATION
 Required unless design is exempt under 3.2.4.3(5) Division C of the Ontario Building Code.

EDDIE PERES *Eddie Peres* 31296
 NAME SIGNATURE BCIN

REGISTRATION INFORMATION
 Required unless design is exempt under 3.2.4.1. Division C of the Ontario Building Code.

EKP DESIGNS INC. 38281
 FIRM NAME BCIN

PROJECT
 PROPOSED BRICK VANEER/ VINYL SIDING GARAGE
 196 GRACE STREET
 CITY OF TORONTO

DRAWING NAME
 FLOOR PLAN

DESIGNED BY EKP	DRAWN BY EMMANUEL O	APPROVED BY EKP
PROJECT No. 2017-89	DATE JULY 2017	SCALE AS SHOWN
FILE: 2017	DRAWING NO. A7	